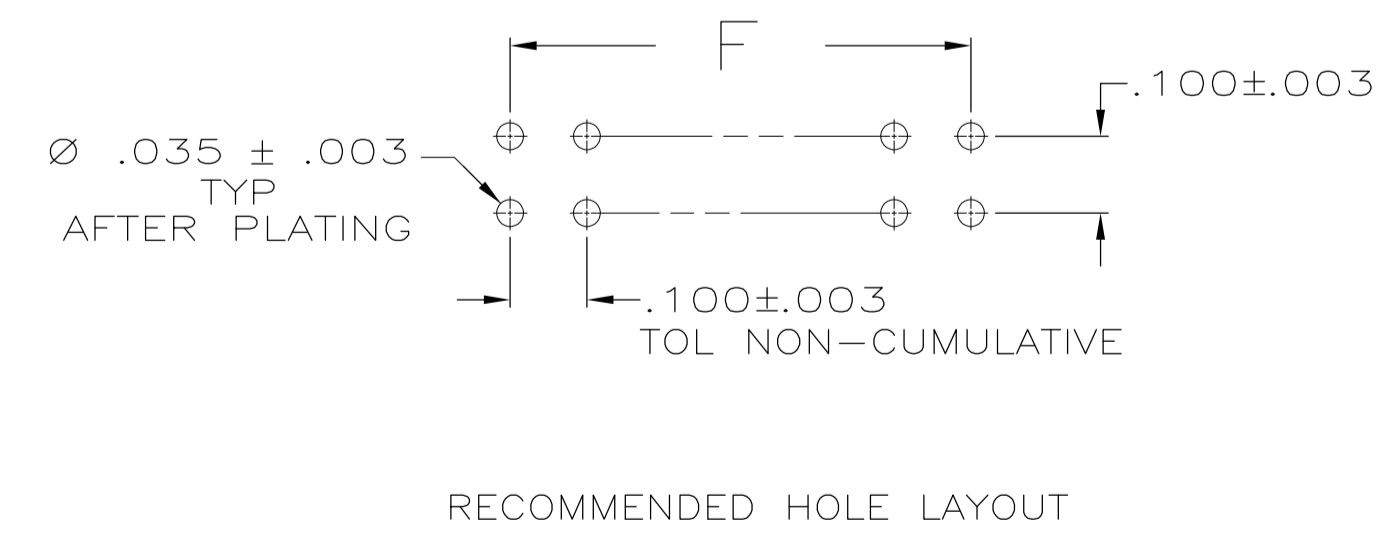
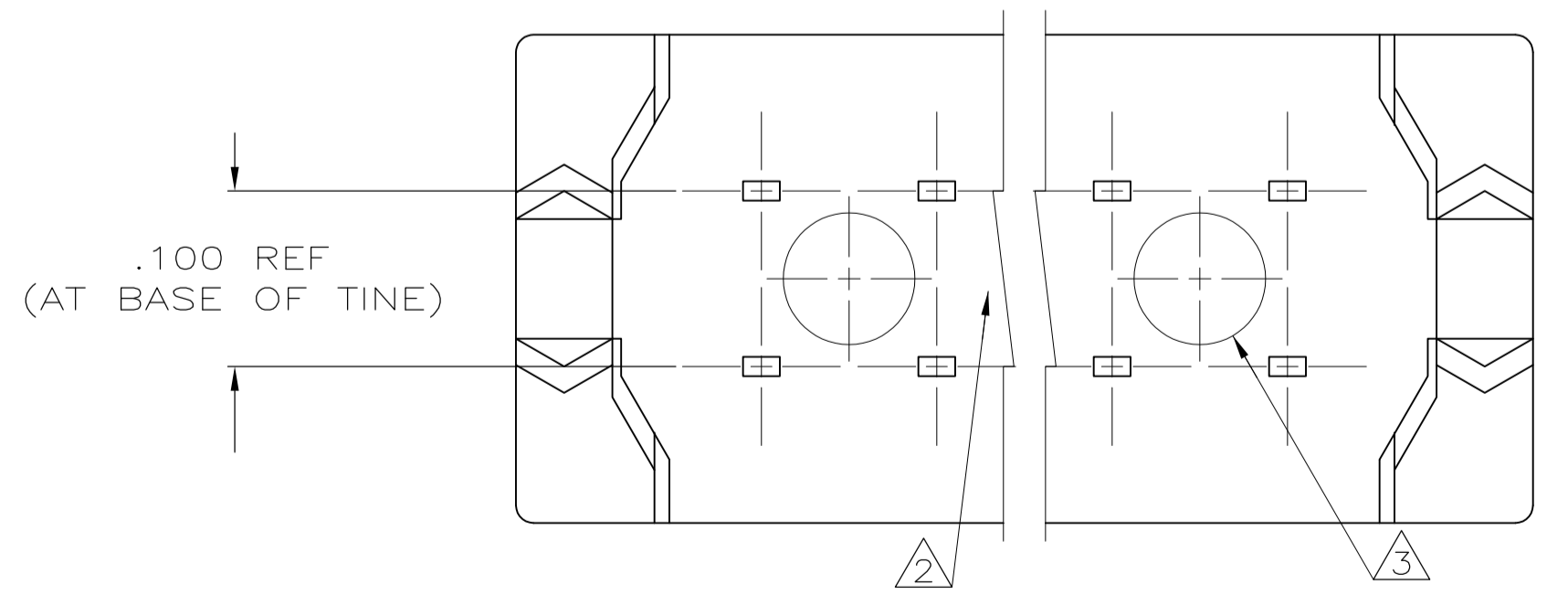
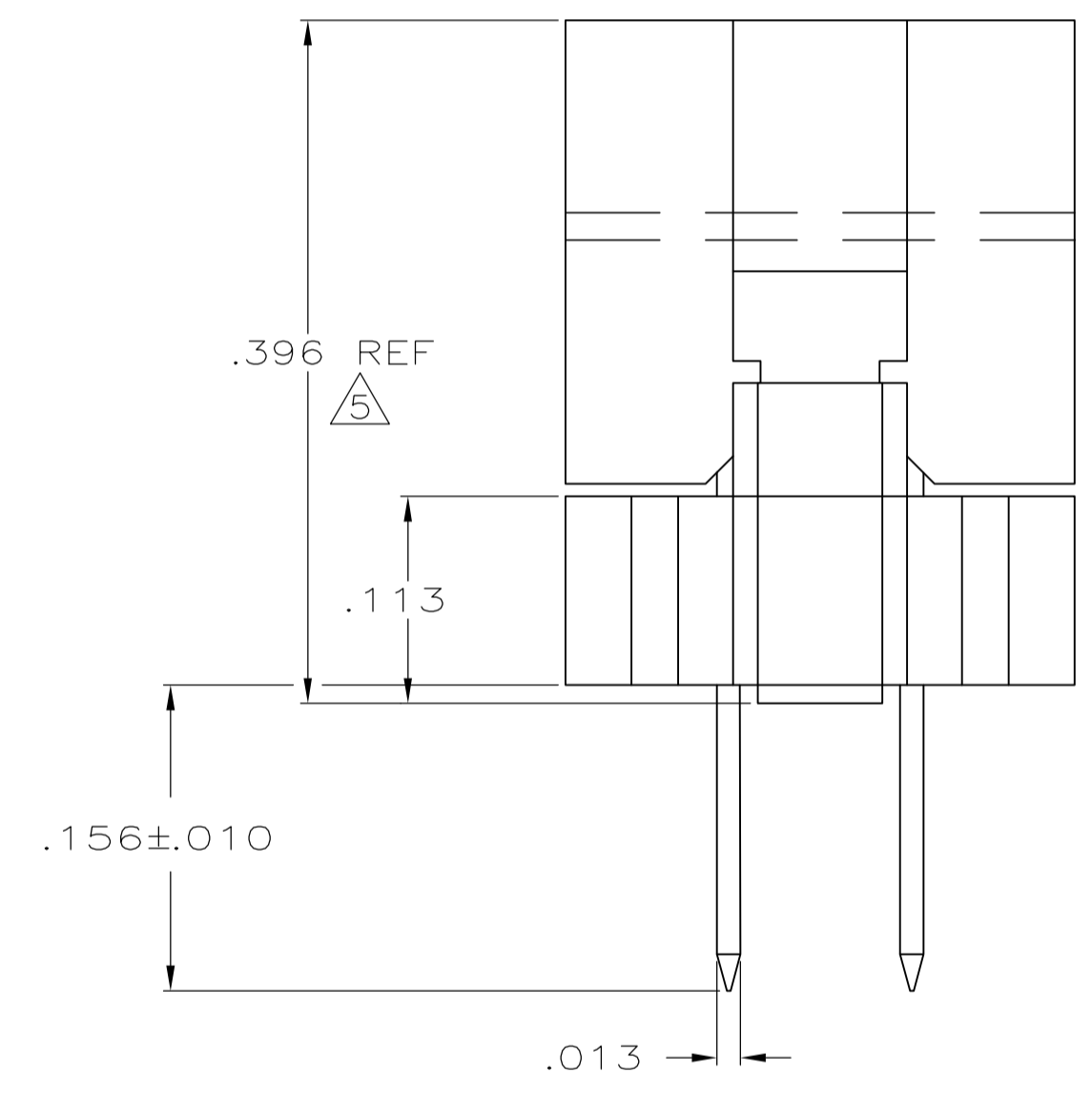
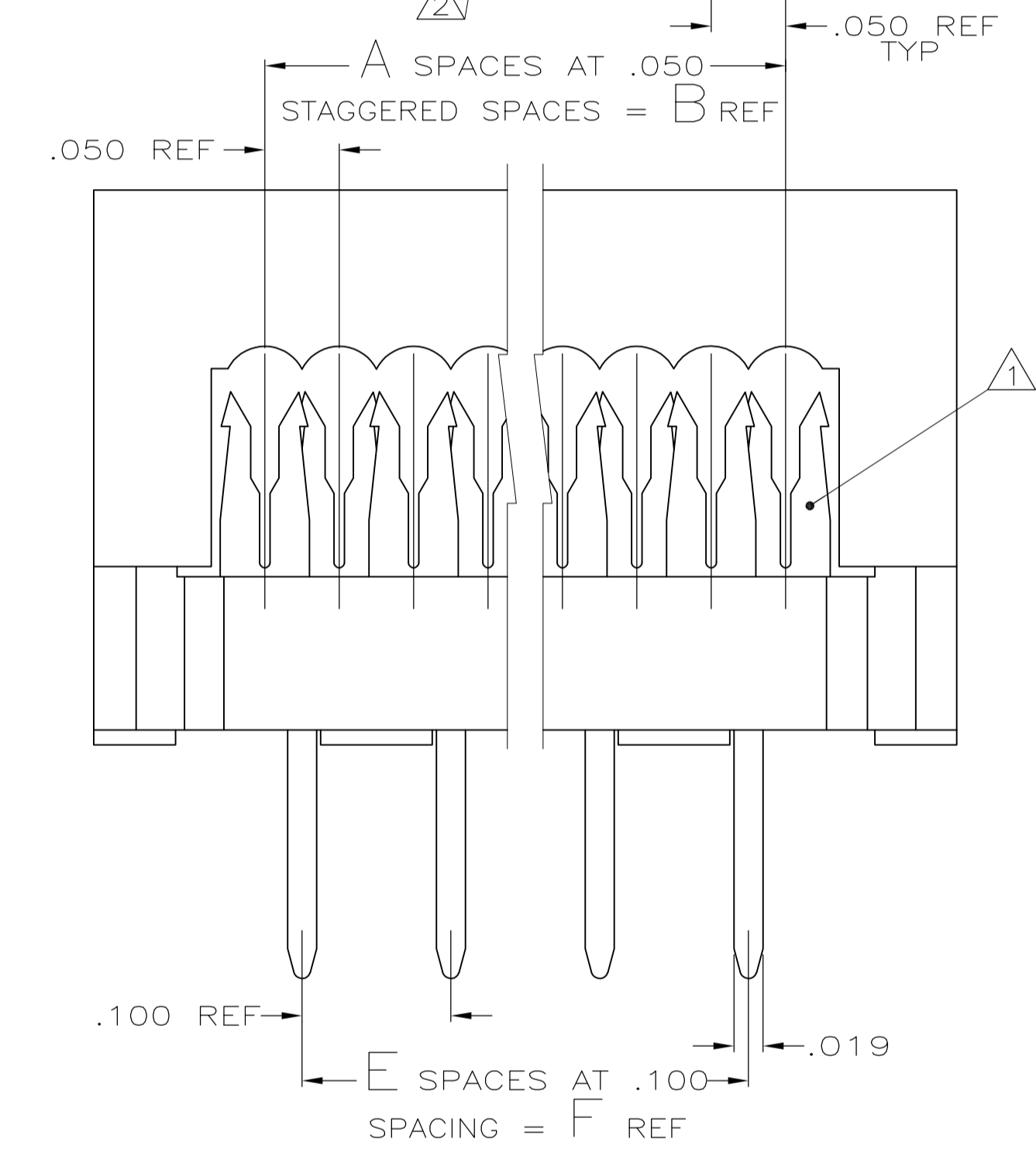
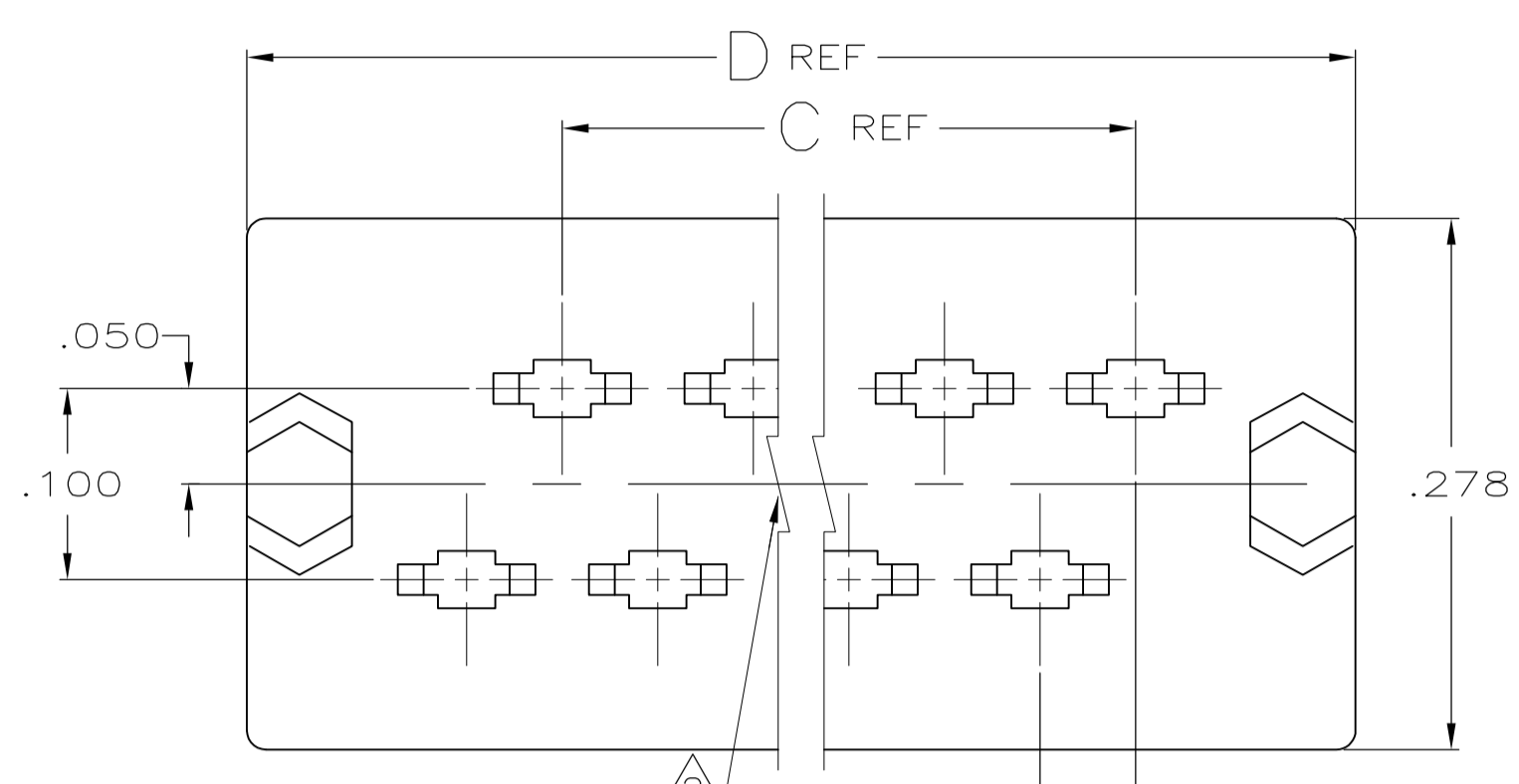


- △ CONTACTS DESIGNED FOR 26 & 28 AWG STRANDED OR 26, 28, & 30 AWG SOLID WIRE.
- △ AMP TRADEMARK LOCATED IN APPROX AREA SHOWN.
- △ STANDOFFS: POS 10 (2) STANDOFFS AS SHOWN.
 14-16 (3) STANDOFFS, (1) CENTERED BETWEEN (2) SHOWN
 20-26 (4) (2)
 30 (5) (3)
 34 (6) (4)
 40-44 (7) (5)
 50 (8) (6)
 60 (9) (7)
 64 (10) (8)
- △ .000100-.000200 BRIGHT TIN LEAD, ALL OVER .000050 NICKEL.
- △ HEIGHT AFTER TERMINATION IS .253 REF.
- △ .000005 MIN GOLD ON RIBBON CABLE TERMINATION AREA
 .000100-.000200 MIN MATTE TIN ON SOLDER TAILS, ALL OVER .000050 MIN NICKEL.
- △ MOLDED PARTS, 94V-0 RATED THERMOPLASTIC, COLOR: BLACK.
 CONTACTS: PHOS BRONZE.



△6	2.100	21	2.380	2.100	2.150	43	44	2-746610-6	
△6	3.100	31	3.380	3.100	3.150	63	64	2- -5	
△6	2.900	29	3.180	2.900	2.950	59	60	2- -4	
△6	1.100	11	1.380	1.100	1.150	23	24	2- -3	
△6	.600	6	.880	.600	.650	13	14	2- -2	
△6	.400	4	.680	.400	.450	9	10	2- -1	
△6	2.400	24	2.680	2.400	2.450	49	50	2- -0	
△6	1.900	19	2.180	1.900	1.950	39	40	1- -9	
△6	1.600	16	1.880	1.600	1.650	33	34	1- -8	
△6	1.400	14	1.680	1.400	1.450	29	30	1- -7	
△6	1.200	12	1.480	1.200	1.250	25	26	1- -6	
△6	.900	9	1.180	.900	.950	19	20	1- -5	
△6	.700	7	.980	.700	.750	15	16	1- -4	
OBSOLETE	△4	2.100	21	2.380	2.100	2.150	43	44	1- -3
OBSOLETE	△4	3.100	31	3.380	3.100	3.150	63	64	1- -2
OBSOLETE	△4	2.900	29	3.180	2.900	2.950	59	60	1- -1
OBSOLETE	△4	2.400	24	2.680	2.400	2.450	49	50	1- -0
	△4	1.900	19	2.180	1.900	1.950	39	40	1- -9
OBSOLETE	△4	1.600	16	1.880	1.600	1.650	33	34	1- -8
	△4	1.400	14	1.680	1.400	1.450	29	30	1- -7
OBSOLETE	△4	1.200	12	1.480	1.200	1.250	25	26	1- -6
OBSOLETE	△4	1.100	11	1.380	1.100	1.150	23	24	1- -5
	△4	.900	9	1.180	.900	.950	19	20	1- -4
	△4	.700	7	.980	.700	.750	15	16	1- -3
	△4	.600	6	.880	.600	.650	13	14	1- -2
	△4	.400	4	.680	.400	.450	9	10	746610 -1
CONTACT FINISH	F	E	D	C	B	A	NO OF POSN	PART NO	

THIS DRAWING IS A CONTROLLED DOCUMENT.

DIMENSIONS: INCHES	TOLERANCES UNLESS OTHERWISE SPECIFIED:	DIN L VARELA - DOCKS 11-29-86	APVD C ROHDE 11-29-04	CHK M WALSLEY 11-29-04	NAME KIT, AMP-LATCH DIP PLUG, PREASSEMBLED, .100 X .100 CENTERS.
0 PLC ± -	1 PLC ± -	2 PLC ± -	3 PLC ± .005	4 PLC ± -	ANGLES ± -
MATERIAL	FINISH CONTACTS: SEE TABLE	WEIGHT	SIZE A1	CAGE CODE 00779	DRAWING NO 746610
CUSTOMER DRAWING		SCALE NTS	SHEET 1 OF 1	REV H1	